



Make your own Boston Bomb

by [drj113](#) [Favorite](#) [Print PDF](#) [Facebook](#) [Twitter](#) [E-mail](#) [Flag](#)



intro Make your own Boston Bomb

In this, my first instructable, I will provide enough information to allow you to make your own small scale Boston Bomb as a fridge magnet.

We just had the anniversary of 31 Jan 2007, the day that shook the city of Boston. Prior to this day, we here in Australia had not even heard about Moonlight, or the Adult Swim Channel. Once the Boston Police did what they did best, the whole world knew...

The stupidity of the event shocked me, so I decided to make my own small scale version to remind the kids that problems can be solved - not simply blown up!



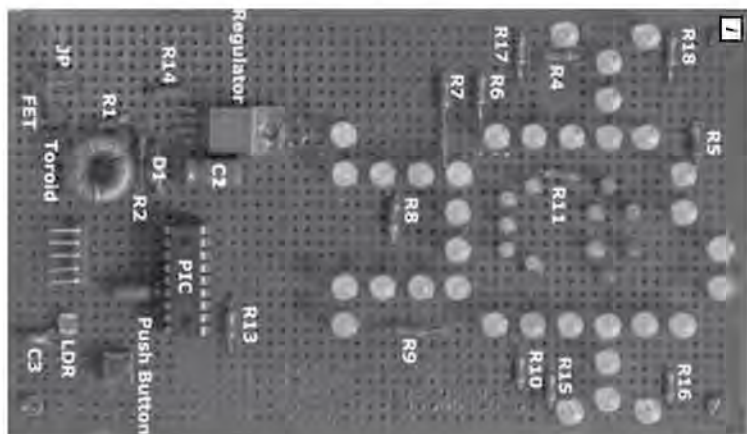
Pie Pops

INFO	SUBSCRIBERS	STATS
<p>★★★★★</p> <p>4.74 (15 ratings)</p>	<p>9,023 views</p>	<p>Author: PRO drj113</p> <p>Published: Jan 31, 2008</p> <p>Subscribe</p> <p>License: CC BY-NC-SA</p> <p>Related: Boston, Bomb, Stupidity, LED, LED Lights, 31/01/2007, DC-DC</p>

step 1 Lay the parts out on the PCB

In this case - I used veroboard (sometimes called Stripboard)

Lay the components out, and use point to point wiring on the back of the board to connect them



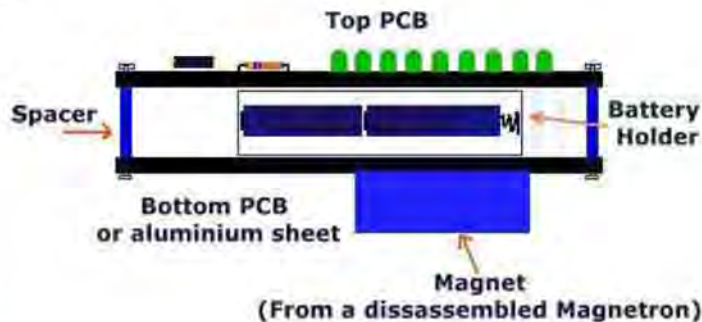
step 2 The Construction Method

The Boston Bomb is constructed using a sandwich technique, where the top board holds the components, the bottom board holds the magnet, and the battery holder is held in the middle.

The boards are held together using bolts and spacers.

A big magnet that I salvaged from a microwave oven magnetron is glued to the bottom board. Using a big magnet means that your Boston Bomb will be able to hold many school notes.

1



step 3 Circuit Diagram

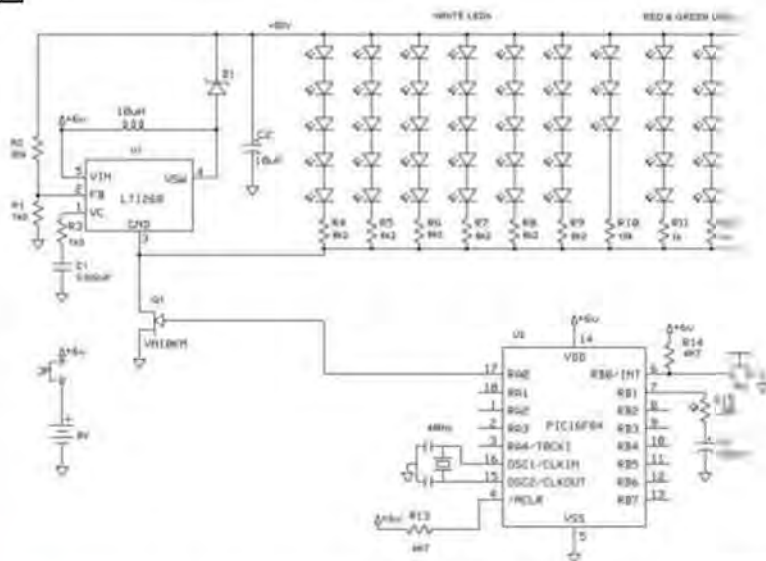
This is the circuit diagram.

It is essentially a DC-DC converter, and a PIC 16F84 (or PIC 16F88) to drive it.

Sw1 is a test switch - push it to cause the device to flash.

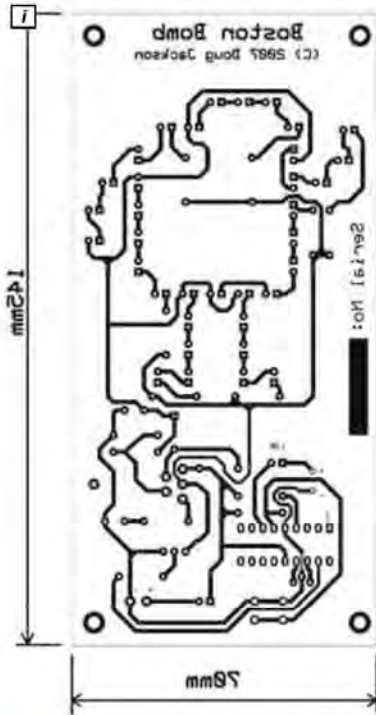
There is a LDR on the board to detect when it gets dark - that's when it flashes for a while.

1



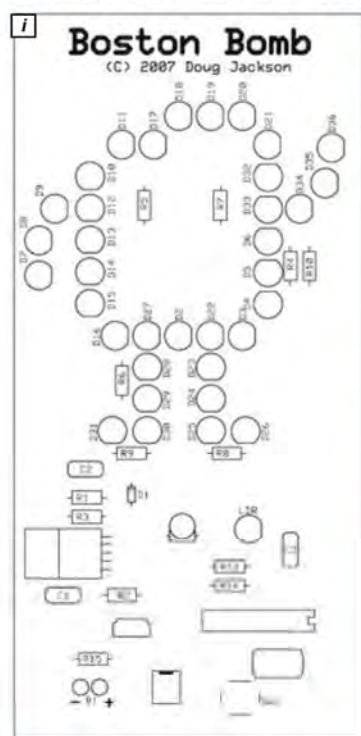
If you would like to create your own PCB, here is the PCB layout.

In the PCB version, I did not worry about the eyes.



step 5 PCB Parts Placement

Here is the parts placement guide for the PCB.



step 6 Best fridge magnet in the world!

Here is the unit mounted on the fridge - The kids and I believe that it is the best fridge magnet on the planet!!!

If you would like a detailed construction article (rejected by an Australian Electronics Magazine Publisher - Because 'Our readers don't like veroboard!') drop over to

[The Construction Pages \(http://www.drj-electronics.com/projects/articles/bostonbomb/index.html\)](http://www.drj-electronics.com/projects/articles/bostonbomb/index.html)

There you will also find the source code for the PIC.